

SOLAS is a new generation of LED luminaire. Using ultra bright LEDs, it produces a whiter more focused light that an equivalent 70W HPS lamp. Available with a self contained battery, it can also be used for backup emergency lighting.

The long life of the LEDs makes it possible to use the luminaire continuously in normal operation (maintained), whilst still ensuring illumination in the event of a power failure. Alternatively it can simply be used as an emergency luminaire (non-maintained).

The unique characteristics of the SOLAS offer a flexible luminaire that is as well suited to providing focused area lighting, illuminating safety critical areas in an emergency situation. A remote inhibition facility is available on all emergency versions.

The range is available with options for operation down to -55°C making it ideal for low temperature applications.

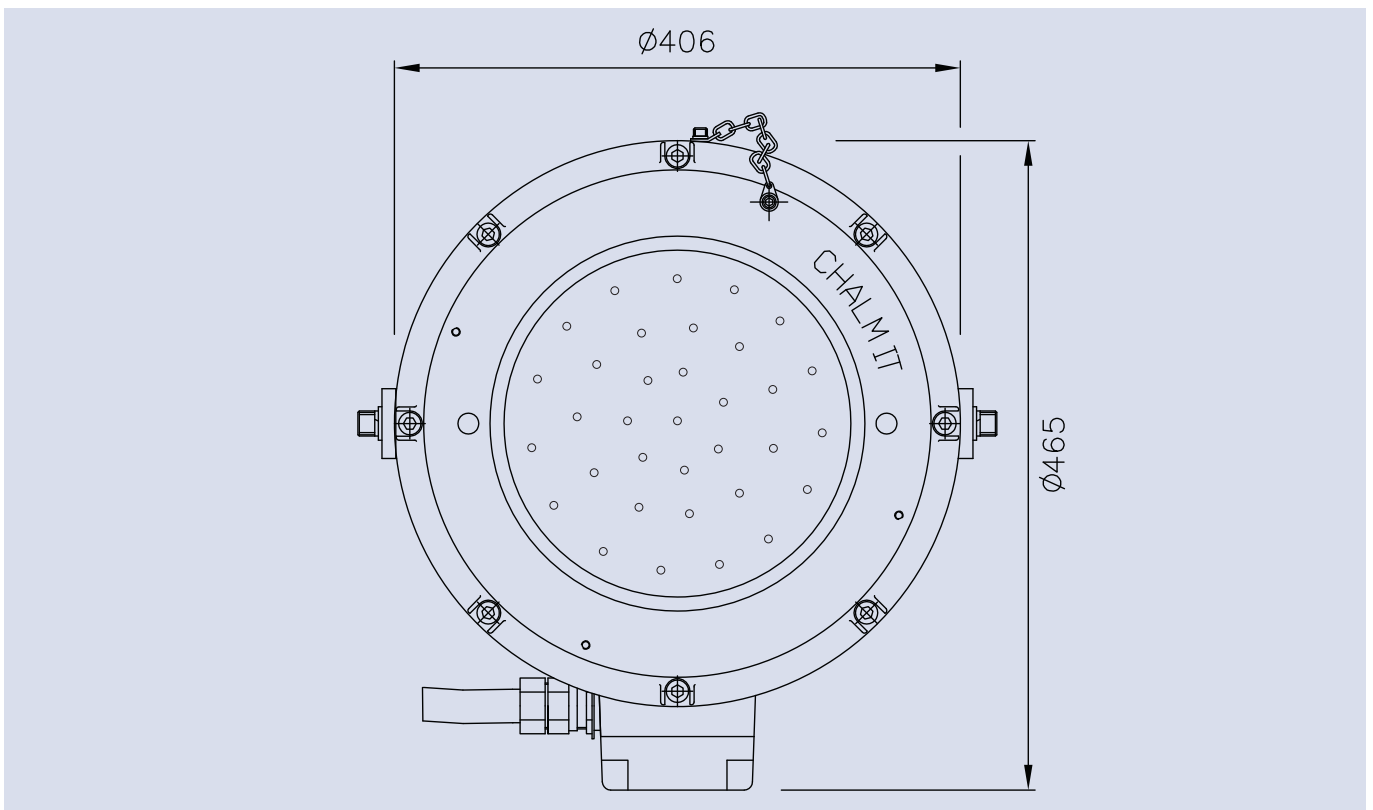


Standard Specification		Features
Type of Protection	Ex de (Flameproof & Increased Safety)	Ex e terminal chamber
ATEX Classification	Group II Category GD	No re-lamping required - over 60,000 hours* continuous operation
Area Classification	Zone 1 & 2 areas to EN 60079-10 with installation to EN 60079-14	
Certificate	ATEX Certification Baseefa11ATEX0090 IECEX Certification IECEX BAS 11.0047	Low ambient temperatures
Coding	⊕ Ex de IIB T6	Non-maintained or Maintained modes
Enclosure	Aluminium alloy LM6	Output of over 4000 lumens comparable with 70W HPS floodlight
Reflector	Toughened glass window All fastenings 316 stainless steel	
Entry	2 x M20 cable entries - Non-emergency version: looping for 4mm <sup>2</sup> cable Emergency version: single entry only for 4mm <sup>2</sup> cable	Emergency Inhibition
Termination	4 core 4mm <sup>2</sup> max.	
Installation	Stirrup mounted	
Control Gear	Electronic	
Batteries	Internal Rechargeable Ni-Cad	
Light Source	34 High power Light Emitting Diodes (LEDs)	
Burning Position	Universal	
Ingress Protection	IP66/67 to EN 60529	
Electrical Supply	220-254V 50/60Hz	
Emergency Light Duration	90 minutes (100% output) Maintained as standard	

Std. Cat No.	Wattage	Lamp	TClass	T°C (Dust)	Ambient °C	Weight
<b>SOLD/034/LE</b>	34W	Light Emitting Diodes	T6	70	-55 to +55	24.0kg
<b>SOLD/034/LE/EM</b>	34W	Light Emitting Diodes	T6	70	-20 to +40	29.0kg
<b>SOLD/034/LE/EM/NM</b>	34W	Light Emitting Diodes	T6	70	-20 to +55	29.0kg

### Options – Suffix to Catalogue No.

<b>/M25</b>	M25 cable entries	<b>/3H</b>	3 hour emergency operation (50% output)
<b>/P</b>	PTFE coating	<b>/SC</b>	Screwed connections (minimum temp changes to -50°C)
<b>/N</b>	Narrow beam spread		<ul style="list-style-type: none"> <li>• Non emergency version: looping for up to 6mm<sup>2</sup> cable</li> </ul>
<b>/NM</b>	Non-maintained emergency version		<ul style="list-style-type: none"> <li>• Non maintained emergency: single entry only for up to 6mm<sup>2</sup> cable</li> </ul>
<b>/LT</b>	Low temperature (emergency only) <ul style="list-style-type: none"> <li>• Non-maintained -55 to +55°C</li> <li>• Maintained -55 to +40°C</li> </ul>		<ul style="list-style-type: none"> <li>• Maintained emergency version: screwed connections not available</li> </ul>



Accessories Should be ordered separately

Catalogue Order Code

Pole mounting bracket S2610-0001

Wire guard S2610-0005

Remote switches are available upon request, please contact technical sales (techsupport@chalmit.com)

Product design and specifications are subject to change without notice, please check the Chalmit website for latest specifications.



The Solas is a new generation of LED lighting ideal for installations where area lighting is required but traditional re-lamping can be difficult.

The product uses ultra bright white LEDs to provide the illumination required for task and working areas. Output is equivalent with a 70W HPS lamp.

The luminaires rugged construction of cast aluminium and toughened flat glass is suitable for the most environmentally challenging areas, offshore and marine environments.

Solas is available as an emergency version which is operable in either maintained mode or non-maintained mode. This gives the flexibility of using the luminaire for both normal lighting and in emergency situations. A remote inhibition facility is also available.

The LEDs operate at 100% lumen output when the power fails for a duration of 90 minutes. Battery recharge time is 24 hours. They also provide instant on lighting from both mains or battery mode.



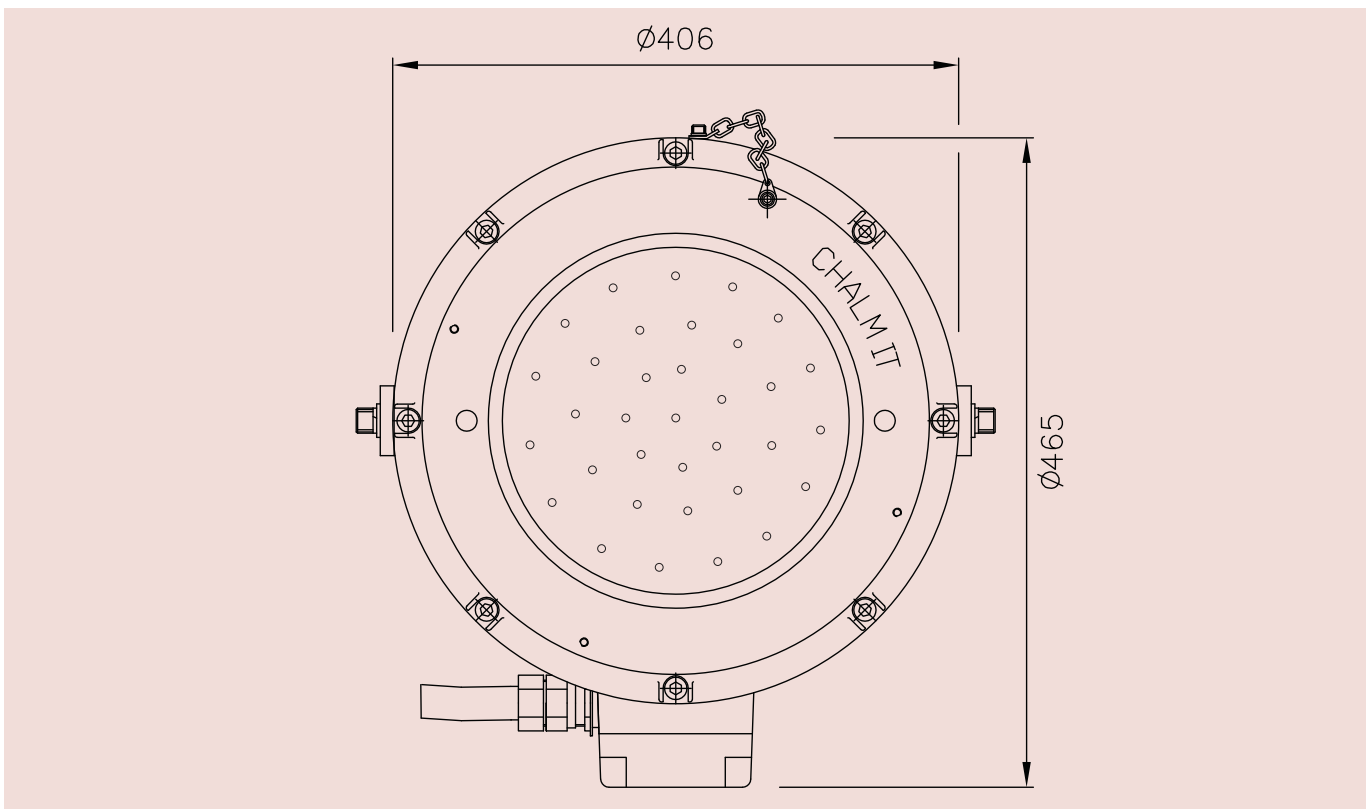
## Standard Specification

## Features

Ingress Protection	IP66/67 to EN 60529	No re-lamping required - over 60,000 hours* continuous operation
Enclosure	Aluminium alloy LM6	
Reflector	Toughened glass window All fastenings 316 stainless steel	Low ambient temperatures
Entry	2 x M20 cable entries - Non-emergency version: looping for 4mm <sup>2</sup> cable Emergency version: single entry only for 4mm <sup>2</sup> cable	Non-maintained or Maintained modes
Termination	4 core 4mm <sup>2</sup> max.	Output of over 4000 lumens comparable with 70W HPS floodlight
Installation	Stirrup mounted	Emergency Inhibition
Control Gear	Electronic	
Batteries	6V Ni-Cad	
Light Source	34 High power Light Emitting Diodes (LEDs)	
Burning Position	Universal	
Ingress Protection	IP66/67 to EN 60529	
Electrical Supply	110-254V 50/60Hz	
Emergency Light Duration	90 minutes (100% output) Maintained as standard	

Std. Cat No.	Wattage	Lamp	Ambient °C	Weight
<b>SOLI/034/LE</b>	34W	Light Emitting Diodes	-55 to +55	24.0kg
<b>SOLI/034/LE/EM</b>	34W	Light Emitting Diodes	-20 to +40	29.0kg
<b>SOLI/034/LE/EM/NM</b>	34W	Light Emitting Diodes	-20 to +55	29.0kg

Options – Suffix to Catalogue No.			
<b>/M25</b>	M25 cable entries	<b>/3H</b>	3 hour emergency operation (50% output)
<b>/P</b>	PTFE coating	<b>/SC</b>	Screwed connections (minimum temp changes to -50°C)
<b>/N</b>	Narrow beam spread		<ul style="list-style-type: none"> <li>• Non emergency version: looping for up to 6mm<sup>2</sup> cable</li> </ul>
<b>/NM</b>	Non-maintained emergency version		<ul style="list-style-type: none"> <li>• Non maintained emergency: single entry only for up to 6mm<sup>2</sup> cable</li> </ul>
<b>/LT</b>	Low temperature (emergency only) <ul style="list-style-type: none"> <li>• Non-maintained -55 to +55°C</li> <li>• Maintained -55 to +40°C</li> </ul>		<ul style="list-style-type: none"> <li>• Maintained emergency version: screwed connections not available</li> </ul>



Accessories Should be ordered separately	Catalogue Order Code
Pole mounting bracket	<b>S2610-0001</b>
Wire guard	<b>S2610-0005</b>
Remote switches are available upon request, please contact technical sales (techsupport@chalmit.com)	
Product design and specifications are subject to change without notice, please check the Chalmit website for latest specifications.	

